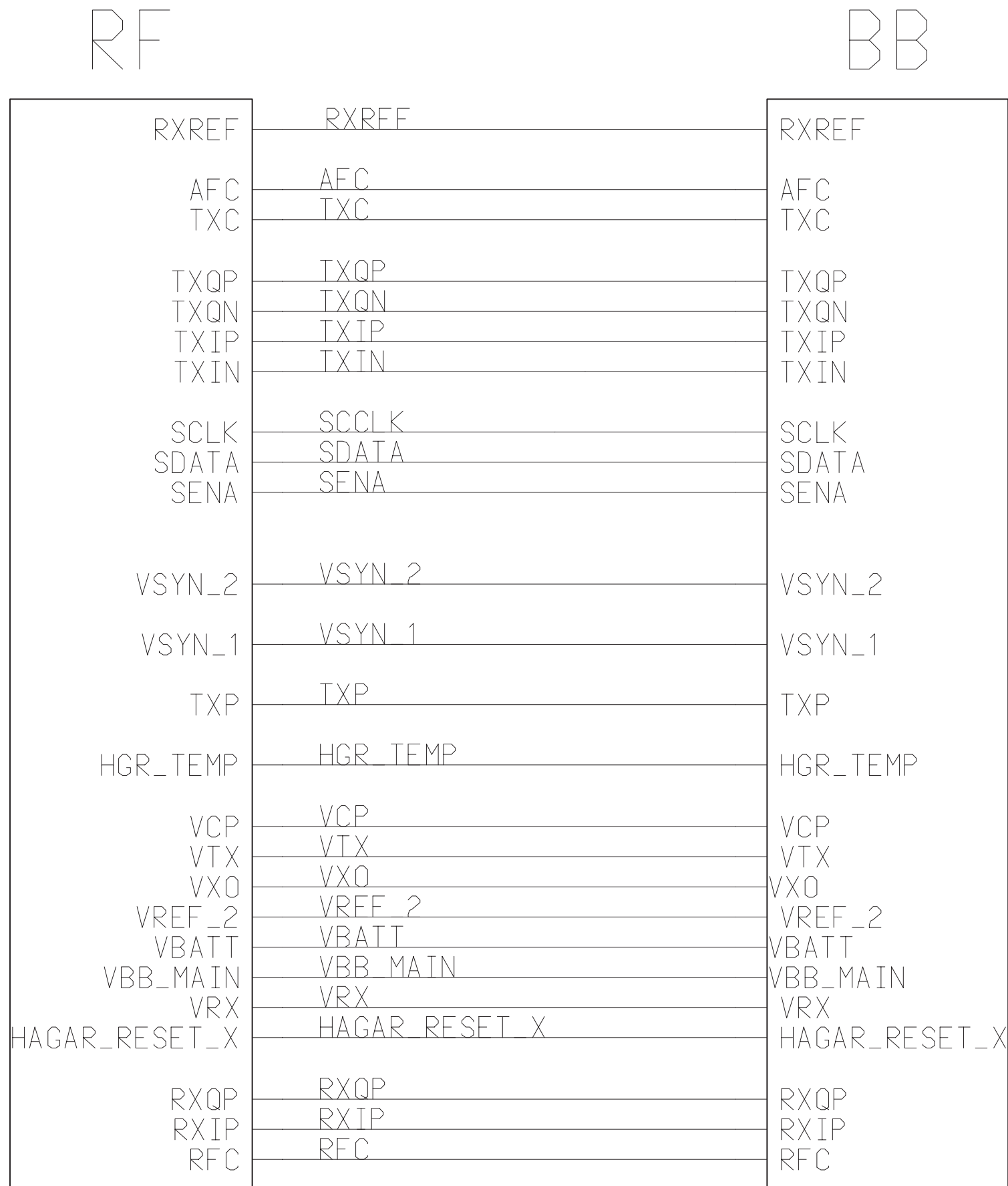
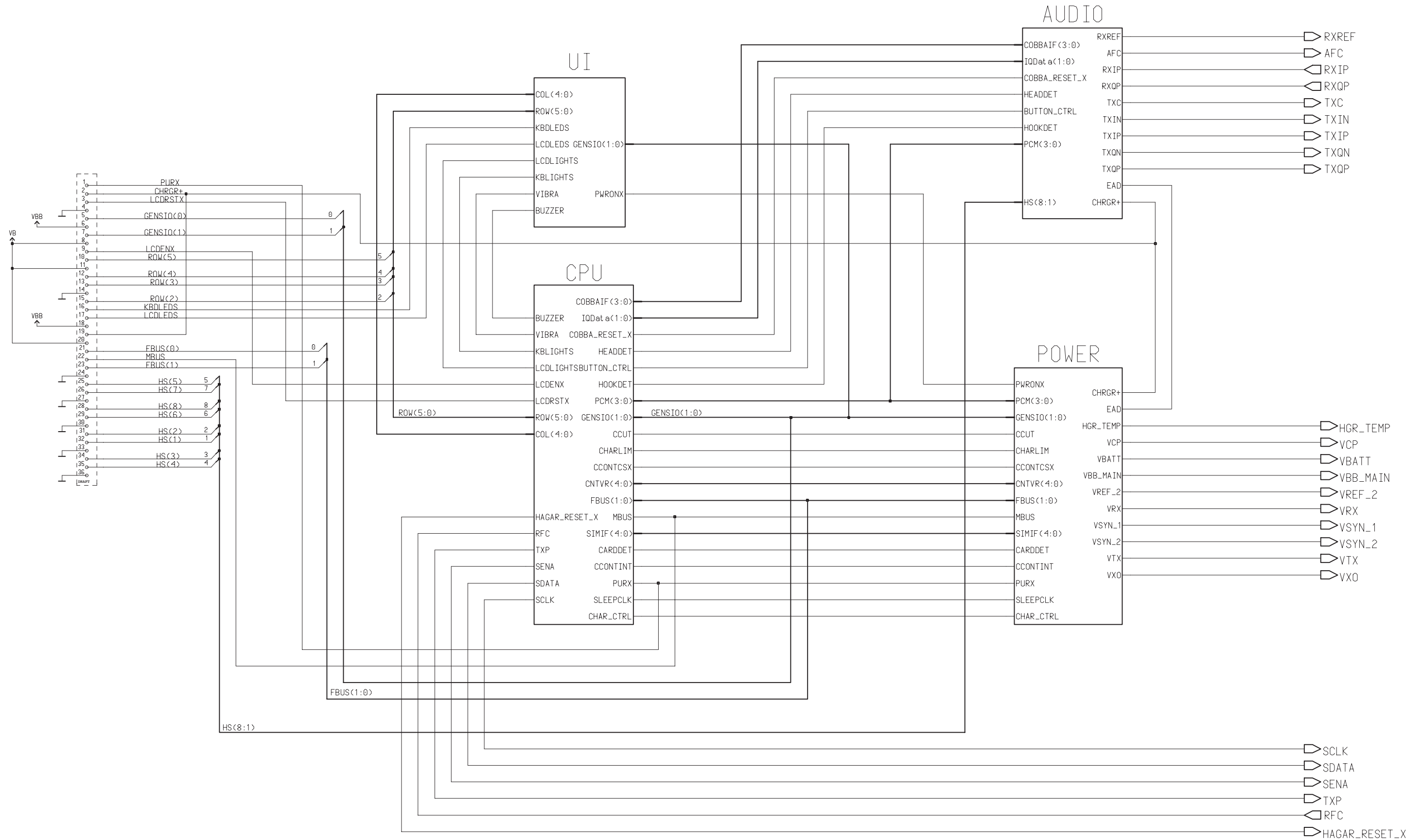


Schematics / Layouts MA4 module

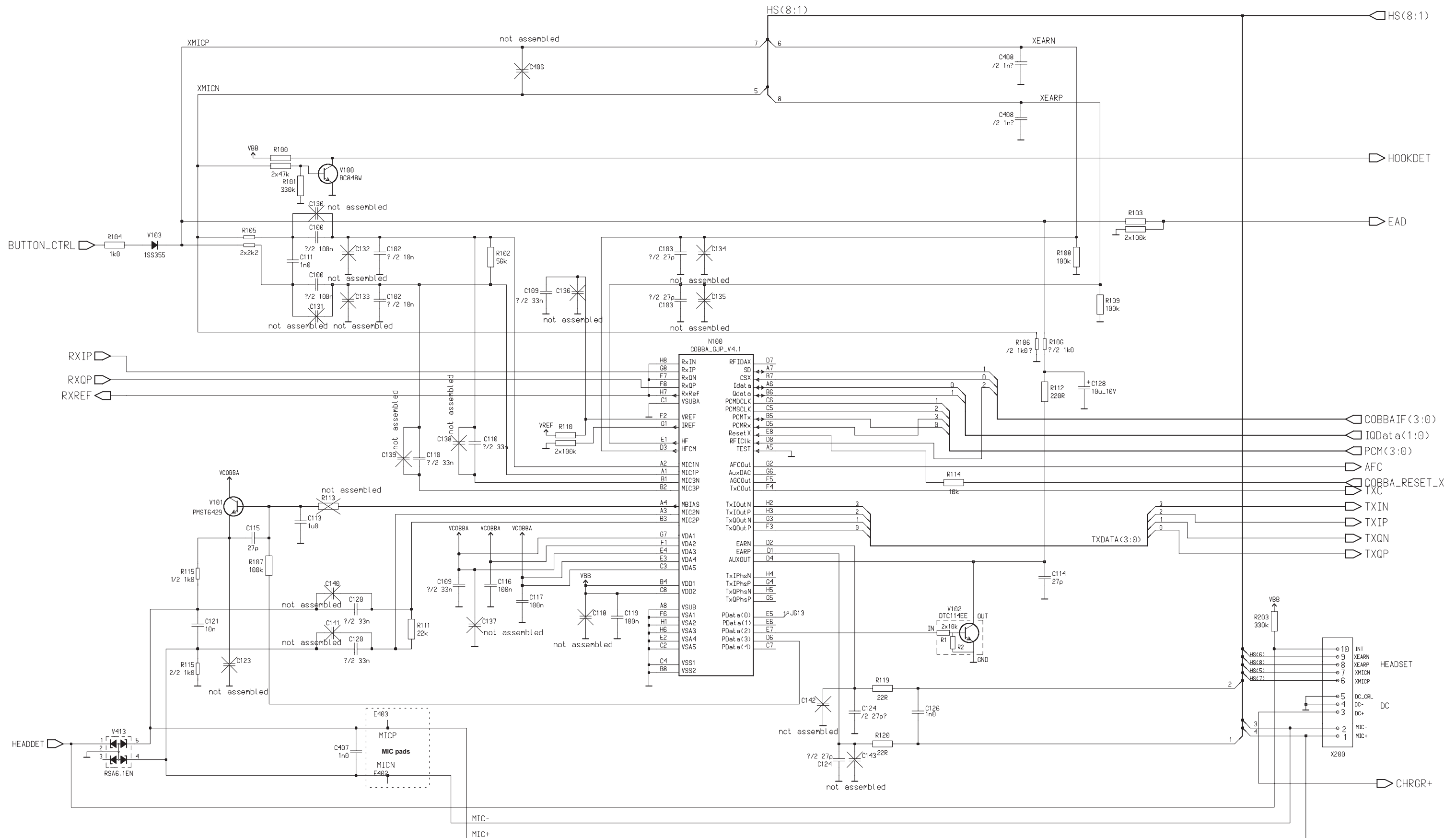
RF-BB connections schematic diagram, version 4.0



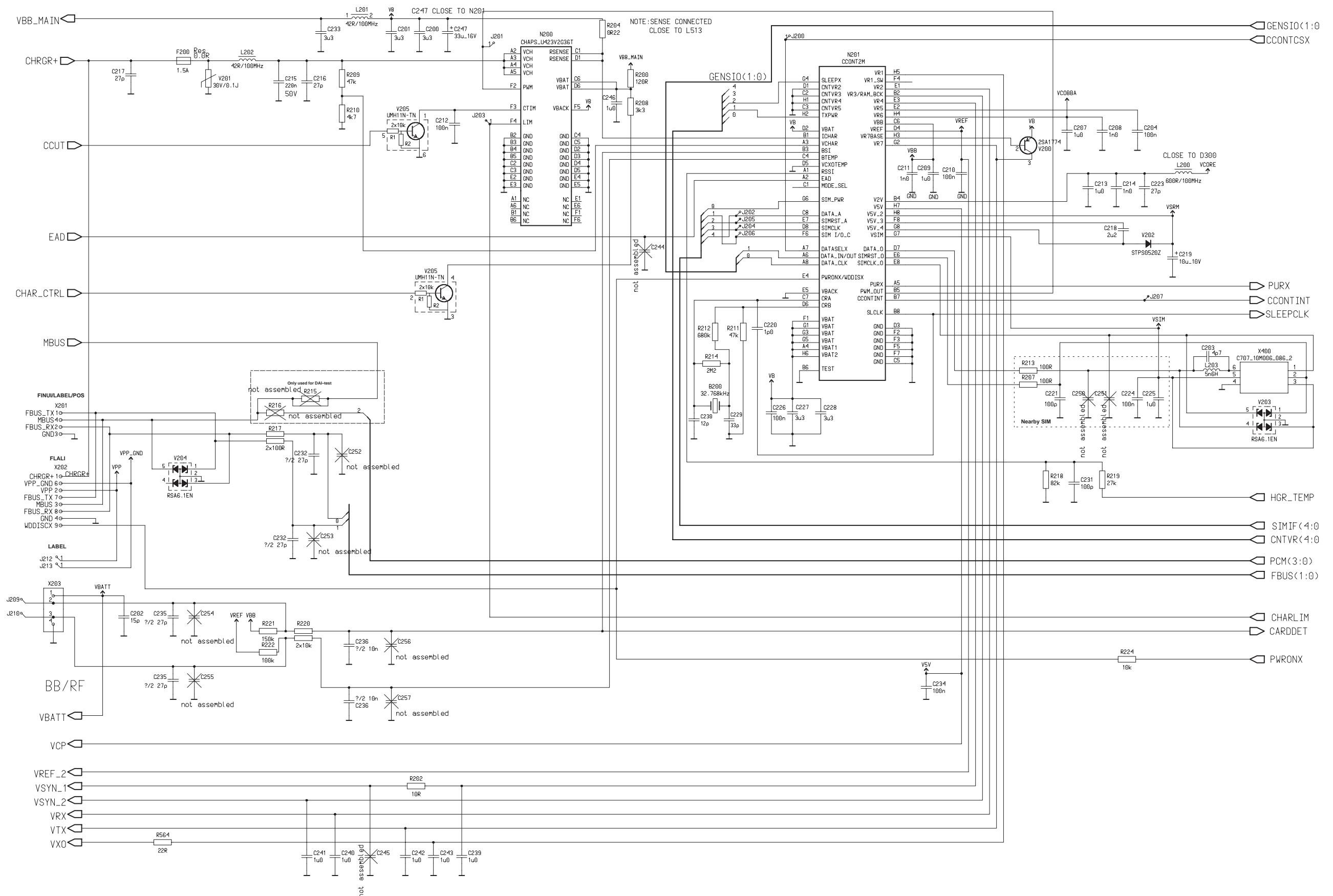
BB block diagram, v.01 ed.43



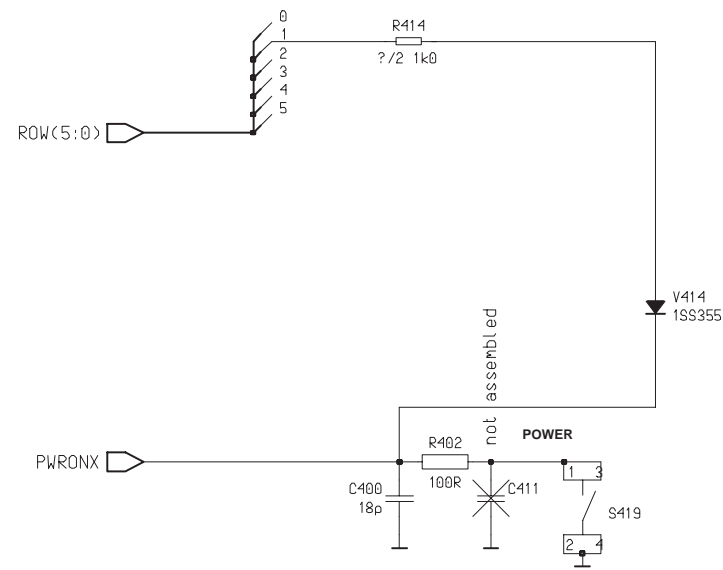
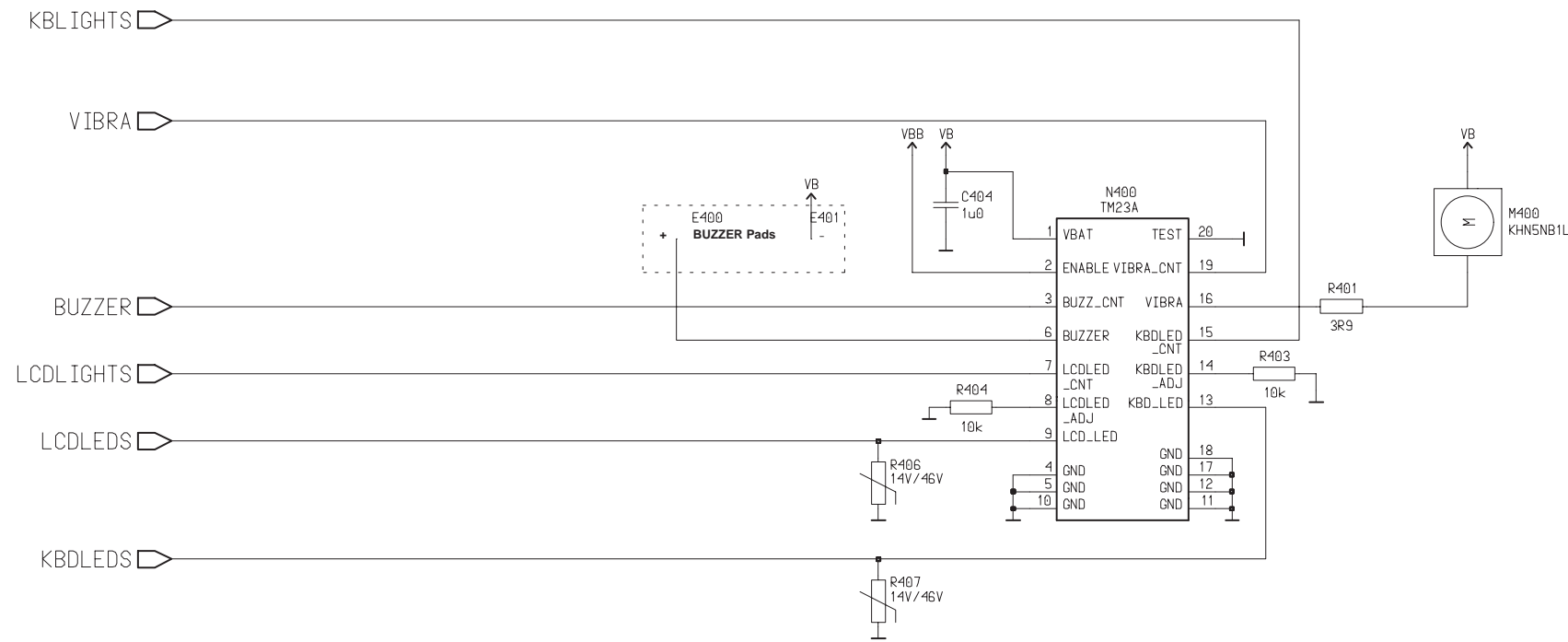
Audio & RFI schematic diagram, v.01 ed.101



Power and charging schematic diagram, v.04 ed.210



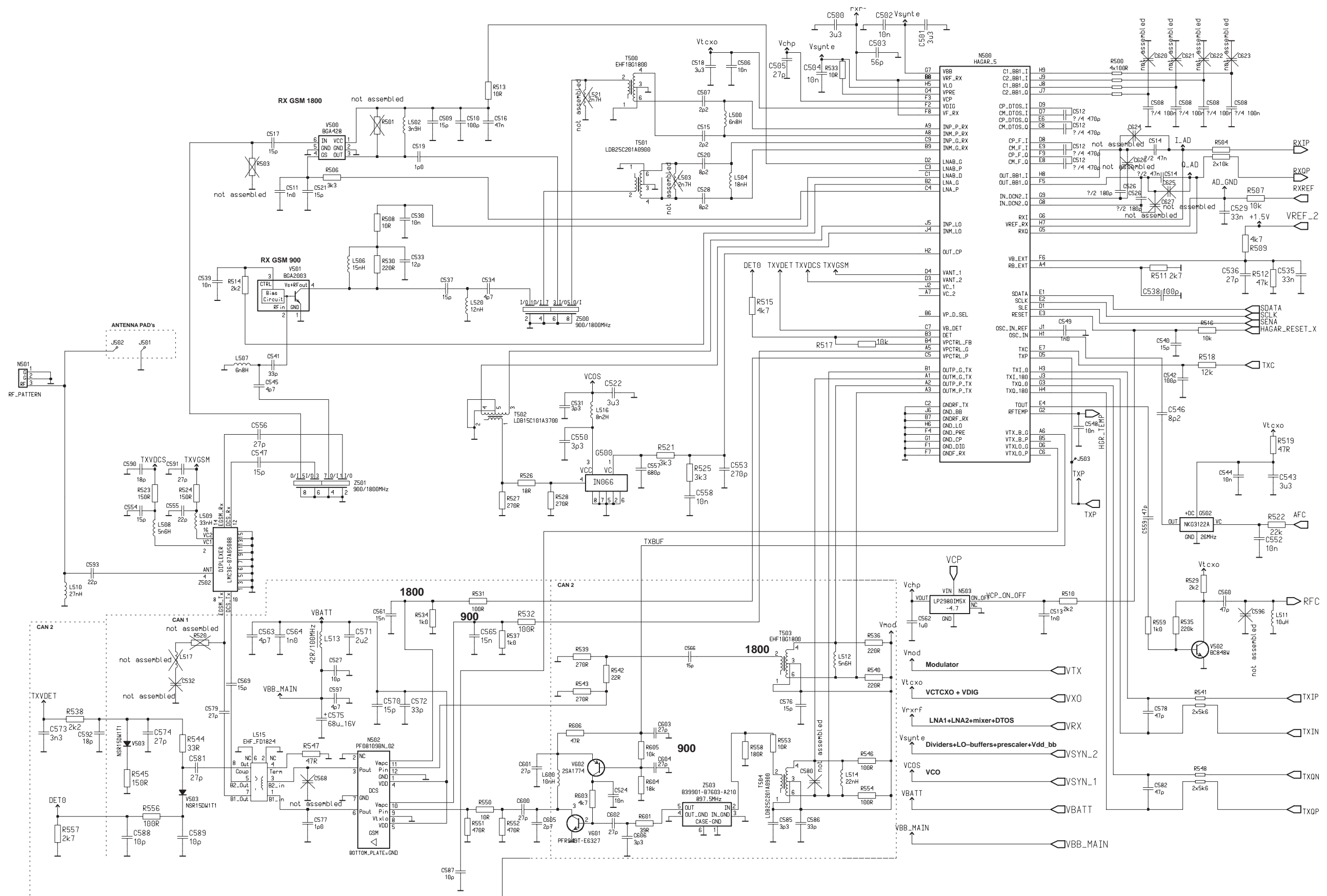
User interface schematic diagram, v.04 ed.109



COL<4:0>

GENSIO<1:0>

RF schematic diagram, v.04 ed.109



Parts placement diagram, 2/2, version 4.0

